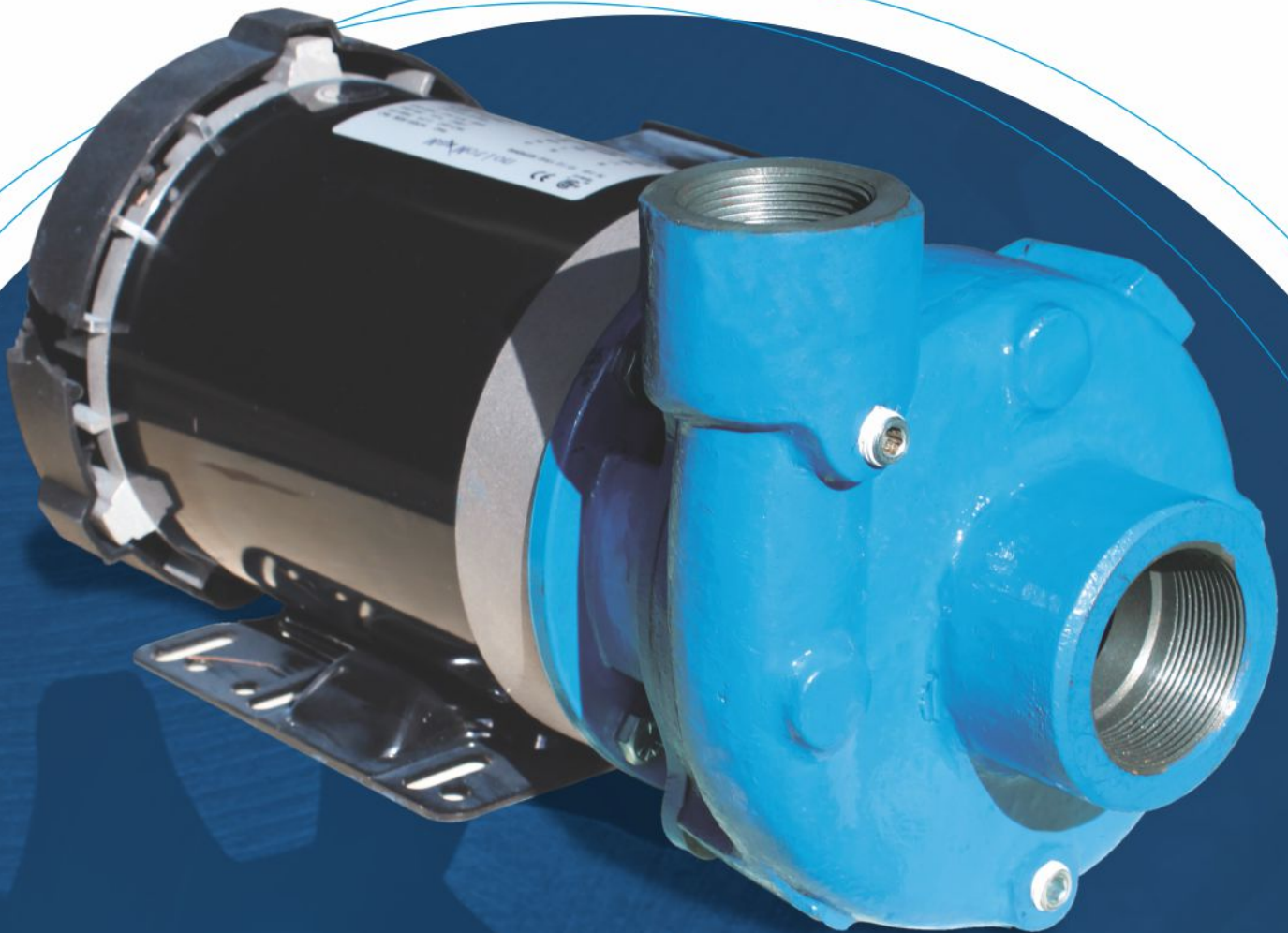




"A Trusted Partner in Pump Solutions"

RCP PUMPS

Close-Coupled Centrifugal
End Suction Series



FEATURES:

- ▶ RCP series pumps are non-self-priming, single stage & close-coupled with a completely fan-cooled standardized motor. Main dimensions of motor are according to IEC & DIN standards.
- ▶ These pumps are centrifugal volute pumps having axial suction port, radial discharge port along with a horizontal shaft.
- ▶ Dimensions of mechanical shaft seal of RCP pumps are as per EN 12756
- ▶ Each pump of this series is dynamically balanced according to ISO 1940 class 6.3.
- ▶ Impellers of RCP series pumps are hydraulically balanced with a back pull-out design. This enables removal and dismantling of the motor & impeller without any disturbance to pump housing or pipework. As a result of this design, it is possible even for a single individual to service this pump using a crane.

APPLICATION:

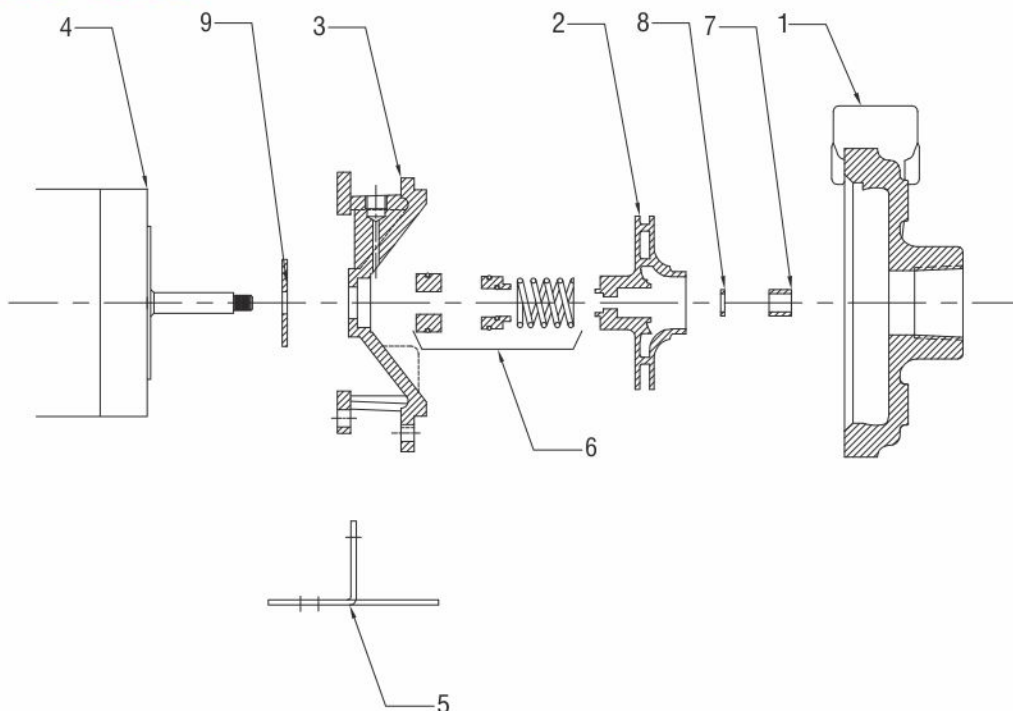
RCP series Pumps are economical OEM pumps. Pumps are available in cast Iron Bronze fitted construction with enclosed impeller. The pumps close coupled with NEMA face motor.

- ▶ City water, Municipality
- ▶ Apartment Buildin
- ▶ Circulating water & Chillers
- ▶ Water & waste water
- ▶ Effluent Treatment
- ▶ Petrochemical & Refineries
- ▶ Irrigation & HVAC
- ▶ Cooling Tower
- ▶ Pharmaceutical

RCP SERIES END SUCTION PUMP

SIZE: 2 X 1.5 X 5.5

EXPLODED VIEW:

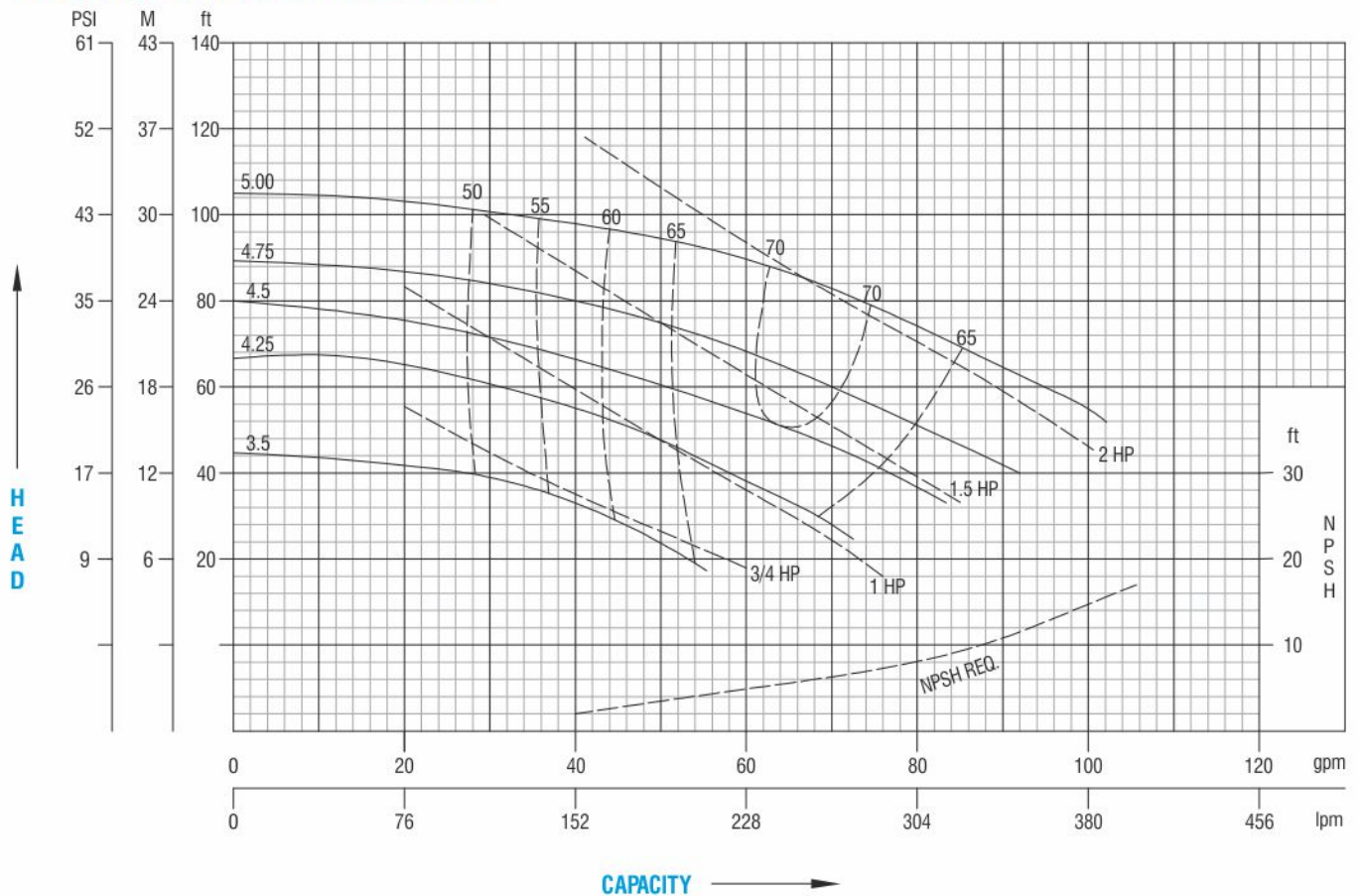


PART LIST

PART NO.	NAME	MATERIAL
1	CASING	CAST IRON
2	IMPELLER	SS316
3	ADAPTOR	CAST IRON
4	MOTOR	-
5	LEG	SS316

PART NO.	NAME	MATERIAL
6	MECHANICAL SEAL	-
7	NUT	SS316
8	WASHER	SS316
9	SLINGER	BUNA RUBBER

PERFORMANCE CURVE

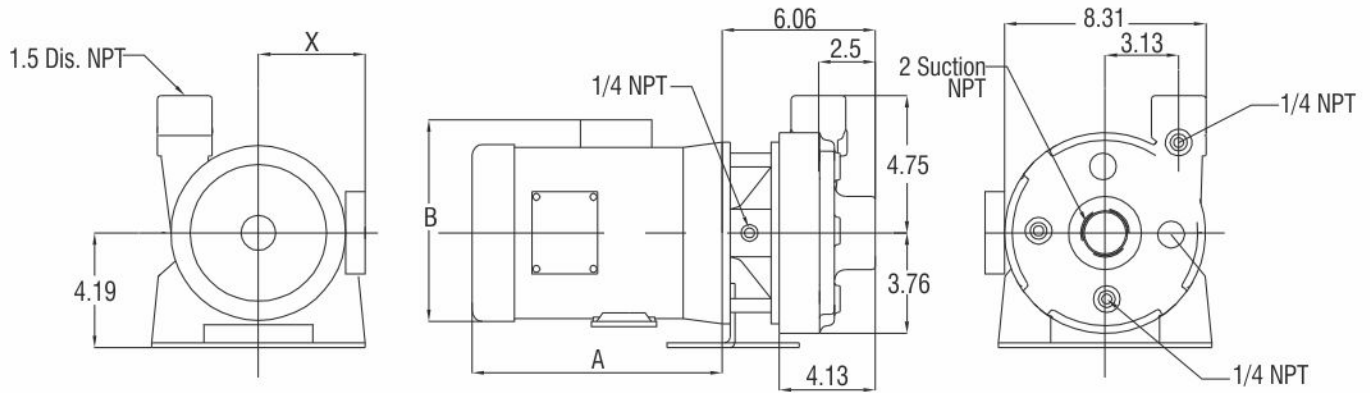


All Dimensions in Inches. Drawing represents approximate pump dimensions. Autocad drawing to scale available from factory.

DIMENSIONS

HP	ODP						TEFC					
	3 PHASE			1 PHASE			3 PHASE			1 PHASE		
	A	B	X	A	B	X	A	B	X	A	B	X
0.75	8.37	6.5	3.25	9.56	8.37	3.25	9.43	7.04	5.43	9.43	8.1	5.31
1	8.37	6.5	3.25	9.81	8.37	3.25	9.43	7.04	5.43	10.59	8.1	5.31
1.5	8.37	6.5	3.25	10.31	8.37	3.25	9.43	7.04	5.43	10.59	8.1	5.31
2	8.87	6.5	3.25	10.31	8.37	3.25	10.61	7.04	5.43	11.77	8.1	5.31

DIAGRAM



"A Trusted Partner in Pump Solutions"

1320 Britannia Road East
Mississauga, Ontario, Canada. L4W 1C8

Phone: (905) 461-9617 | Fax: (905) 461-9618

Toll Free: 1-866-217-PUMP (7867)

Email: sales@rotechpumps.com | www.rotechpumps.com